

New PLEAT Classroom Technology – Getting Started

The TCTC Physical Learning Environment Advisory Team (PLEAT) project is bringing new, standardized teaching technologies to our classrooms. These rooms feature both simple and advanced tools for teaching with technology. This **Quick-Start Guide** is designed to help get you up and running quickly and effectively.

What can you do?

Interact with the classroom computer.

View the desktop, project content, and interact with the whiteboard using the interactive pen or your finger as a marker and/or mouse.

Project and interact with your own computer or other device.

See below for all the ways you can connect your personal device.

Start writing and annotating.

Draw on the whiteboard with the interactive pens or your finger and interact with projected content.

Interact without a computer.

See below for how to use the interactive whiteboard by itself.



Try It Out

Interacting with a computer

1 Turn on the projector by pressing the power button  on the projector control pad. The classroom computer is already connected and ready for projection.

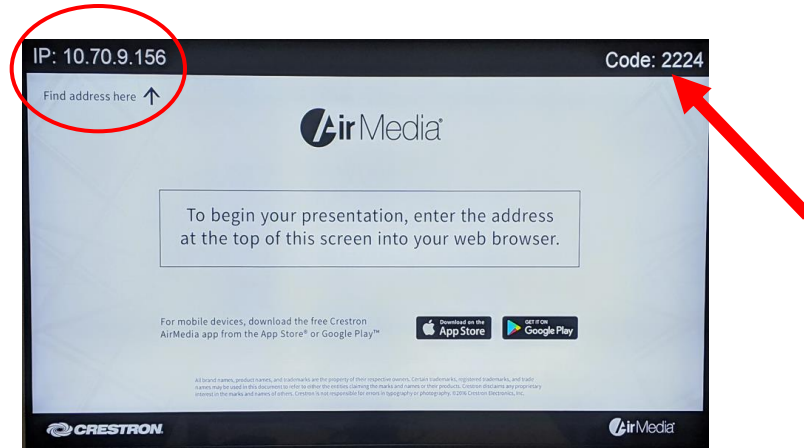


Note: The Crestron panel is motion and touch activated. Standing in front of or touching the screen will trigger the lighted buttons.

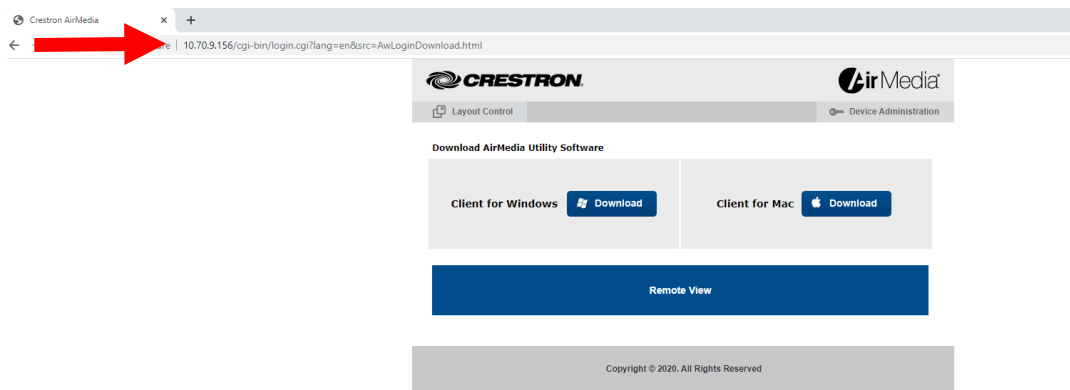
2 If you prefer to use your laptop or other device via HDMI connection, an HDMI cord is on the desktop.



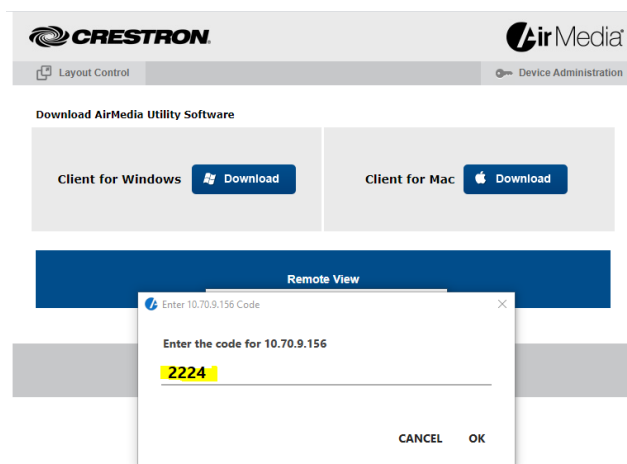
3 Another projection option is AirMedia. Select  on the Creston touch panel and the below screen project.



Once the above screen is projected, enter the IP address shown in the upper left corner, into your internet browser address bar. The download prompt will display.



Select the appropriate client, based on the device you are using. Once the download is complete, follow the prompt to enter the code displayed in the upper right corner of the AirMedia screen and click "OK".



Your device should now be connected to the projector, displaying the screen.

Note: If your computer screen is not projected, see the "Troubleshooting" section of this document.

Audio Volume

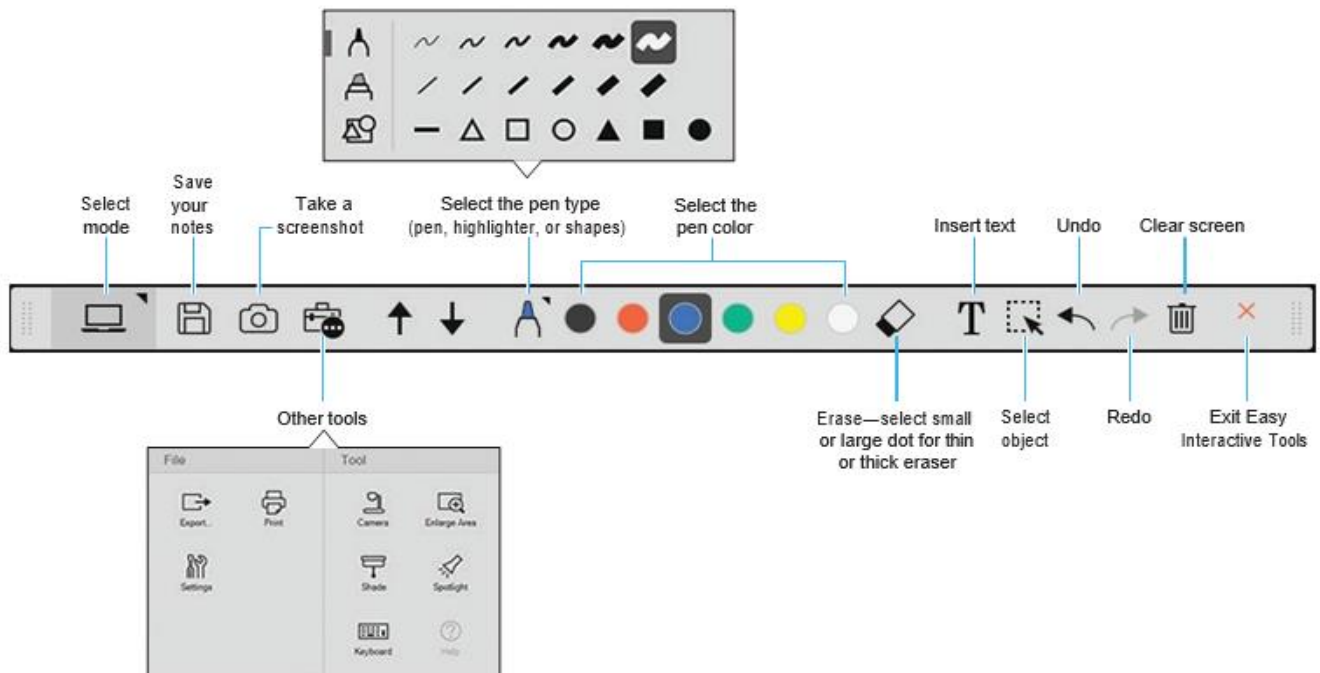
When projecting material in which audio is required, make sure to adjust volume levels on the device displaying content. If the device volume settings appear appropriate, but you are still experiencing issues, adjust the volume settings found on the Crestron wall panel.



Using interactive software


All TCTC PLEAT outfitted classrooms are equipped with the required software. If you opt to use your personal device, the latest software is available for free download at: www.epson.com/brightlinkdownloads

When the classroom computer or your preferred device is connected, the toolbar below will appear on the screen, and allow you to interact with the projected content.



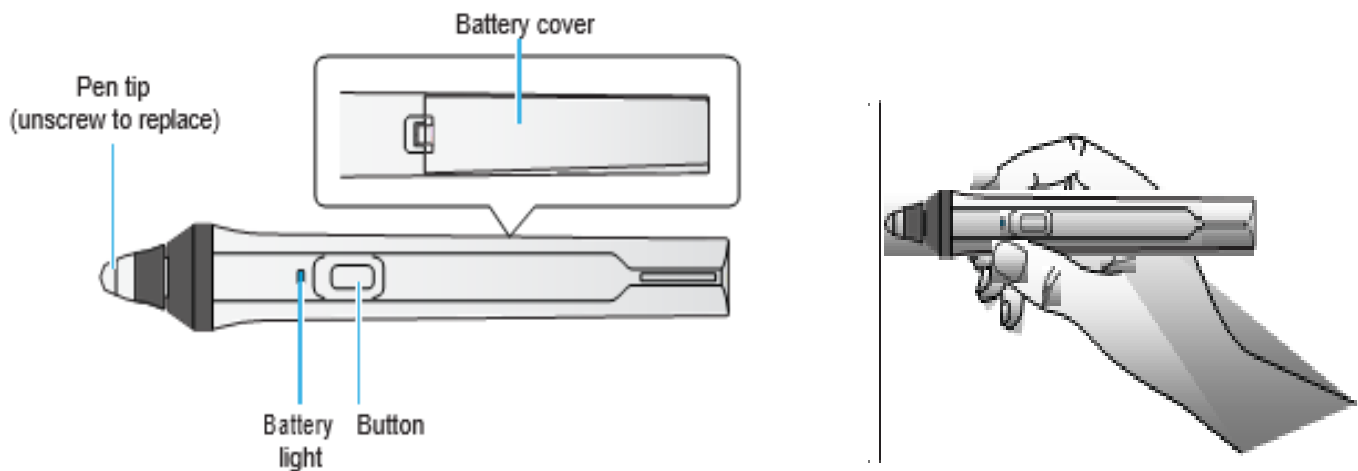
Interact without a computer

The Epson BrightLink projector is able to be used **without** connecting to a computer or device. Start a lesson from scratch in Whiteboard mode or project content from other connected devices and annotate them in PC Free Annotation mode. With a network connection, this work can be saved, printed, or emailed when completed.

- 1 Turn the projector on from the control pad.
- 2 Select  **Whiteboard** from the screen. You see the whiteboard screen and toolbar.
- 3 Pick up an interactive pen or touch your finger to the screen and start writing.

Interactive Pens

Each projector comes with 2 pens, one orange (Interactive Pen A) and one blue (Interactive Pen B). Each pen requires one AA battery.



- To turn on the pen, pick it up. To check the battery, press and hold the button. If the battery is low, the light will flash.
- Hold the pen perpendicular to the board when using it.
- When you are finished using the pen, simply place it in an area away from the projection screen.

Mouse function	Pen/finger action
Left-click	Tap board
Double-click	Tap twice
Right-click	Press pen button Tap and hold finger for 3 seconds
Move cursor	Hover over board
Click and drag	Tap and hold item, then drag

Tool selection and related interaction

Scenario/ Preferred Instruction Style	Built-in Toolbar	Easy Interactive Tools (available on classroom computer)
No computer?	✓	
Use pen or finger as a mouse	✓	✓
Use the board to draw on computer content	✓	✓
Draw on board using the computer		✓
Use up to two pens and six fingers simultaneously	✓	✓
Save whiteboard pages in image, PDF, or editable format	✓	✓
Save annotations as a JPEG	✓	✓
Save annotations in image, PDF, or editable format		✓

Troubleshooting

If the image doesn't appear after connecting a computer, try one of the following:

- On Windows 7 or later, hold down the Windows key and press **P** at the same time, then click **Duplicate**.
- On a Mac, you may need to open **System Preferences** and select **Displays**. Click the **Arrangement** tab and select the **Mirror Displays** checkbox.

As always, if you have questions or need technical assistance, contact the Service Desk via phone at 864-646-1779, or by emailing ServiceDesk@tctc.edu