

BURDETTE ENGINEERING, INC.
 200 Regent Park Court
 Greenville, SC 29607
 (864) 297-8717
 (864) 297-8719 (FAX)
 EMAIL: Bill@BurdetteEngr.com
 REG. JOB NO. 24751A1



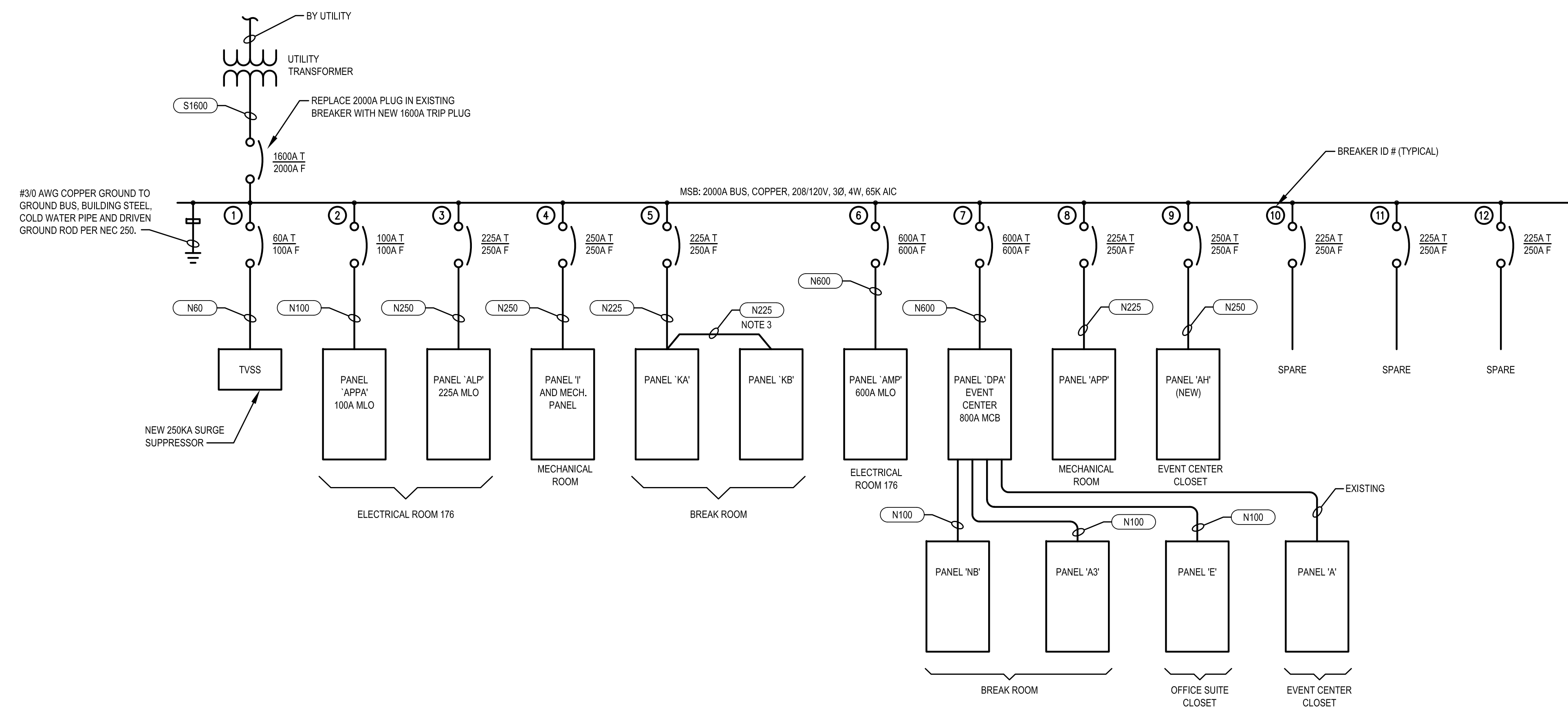
REVISION	DATE	BY

PROJECT NO.	DATE	DRAWN BY	TEMP	CHECKED BY
24751A1	06/25/2024	TMP		RA9/DJB

STATE PROJECT NO. H9-045-LC-B
TRI-COUNTY TECHNICAL COLLEGE
BUILDING INFRASTRUCTURE UPGRADES
ANDERSON SWITCHGEAR
 PENDLETON, SOUTH CAROLINA

SHEET NUMBER

E03A



TAG	WIRE AND CONDUIT
N60	4 #6, 1 #10G; 1" C
N100	4 #3, 1 #6G; 1 1/4" C
N225	4 #4/0, #4G; 2 1/2" C
N250	4-250KCMIL, 1 #4G; 3" C
N400	2 [4 #3/0, 1 #3G; 2" C]
N600	2 [4 #350KCMIL, 1 #1G; 3" C]
N800	3 [4-300KCMIL, 1 #1/0G; 3" C]
S1600	5 [4-400KCMIL; 3" C]

- NOTES:
- PROVIDE NEW PHENOLIC NAMEPLATE FOR SWITCHBOARD: "MSB SERVICE ENTRANCE"
 - ALL PANELS SHOWN ARE EXISTING (UNLESS NOTED OTHERWISE).
 - REFEED PANELS 'KA' AND 'KB' WITH SINGLE FEEDER. PROVIDE FEED THRU LUGS AS REQUIRED.
 - PROVIDE NEW NAMEPLATES FOR EACH BREAKER, WITH SOURCE AND SIZE OF SOURCE BREAKER.

1 NEW SWITCHBOARD 'MSB' FOR ANDERSON HALL (208/120V, 3Ø, 4W)
 NOT TO SCALE

NOTE:
 THIS DRAWING IS FOR PROCUREMENT OF 'MSB' SWITCHBOARD FOR NEW SERVICE TO ANDERSON HALL.

#30 AWG COPPER GROUND TO GROUND BUS, BUILDING STEEL, COLD WATER PIPE AND DRIVEN GROUND ROD PER NEC 250.

BY UTILITY
 UTILITY TRANSFORMER
 REPLACE 2000A PLUG IN EXISTING BREAKER WITH NEW 1600A TRIP PLUG
 1600A T 2000A F

MSB: 2000A BUS, COPPER, 208/120V, 3Ø, 4W, 65K AIC

BREAKER ID # (TYPICAL)

ALL PANELS SHOWN ARE EXISTING